

HEAT RECOVERY
VENTILATION SYSTEMS
ECO-FRESH





CREATING CLEAN AND HEALTHY ENVIRONMENT

In an era of globalization, permanent deterioration of ecology and rapid expansion of cities, humanity is under a constant attack.



According to the World Health Organization, the most harmful to the human organism, among all other environmental influences, is the polluted air. The report released in 2013 announces that polluted air is the most significant threat to human health and, contrary to popular belief, the air in the premises is more dangerous than the one outside.

The rooms contain many bacteria, viruses, mold spores and other microorganisms harmful to humans. Some of these microorganisms develop due to poor air conditioning, high temperature, sometimes due to excessively dry air. In most cases, our homes have no barriers against dangerous organic particles contained in contaminated outdoor air and which are penetrating unfiltered into our homes. Modern man does not even know how many of his health problems are caused by air in his own home or workplace and that is where we spend 90% of our life. Ventilation is a first-rate addition for air conditioners that regulate the temperature but do not change the stale air in the room.

"Eco-Fresh" is a big step in the ventilation systems development. The use of Eco-Fresh in living rooms sets a new level in fresh air supply.

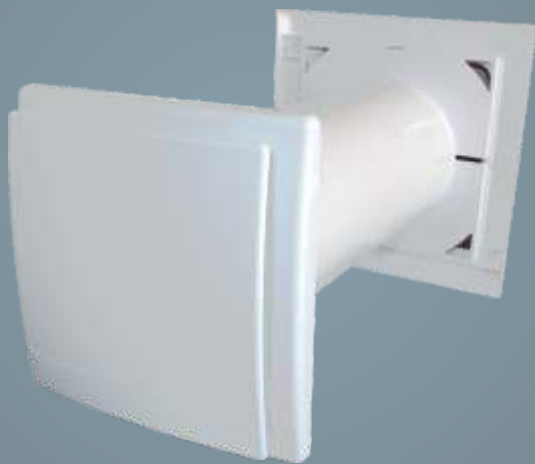
As a base the system "Eco-Fresh" has a silent fan with double-encapsulated ball bearings, multi-stage filtration system, thermostat, heat exchanger, ionizer and humidity sensor.

The heat exchanger keeps the same air temperature and the built-in ionizer fills the air with negative ions, which has antiseptic effect, kills disease-causing microorganisms - viruses and bacteria, preventing infections and acute respiratory diseases.

Ionized air improves working capacity, eliminates the fatigue, and positively affects the human overall tone. "Eco-Fresh" has a wide range of settings which allows this device to be used for different purposes and under different conditions. The five speed mode provides silent operation of the system during sleep and an active ventilation during the day. The device can be installed at the construction stage as well as in already completed buildings. Following the trends of the modern interior, a wide selection of decorative panels is available. The system can be controlled by a remote control or a wall panel.

This system has undergone
many years of testing
in medical centers,
schools and kindergartens
and has proven its effect.

ECO-FRESH 01 SEV

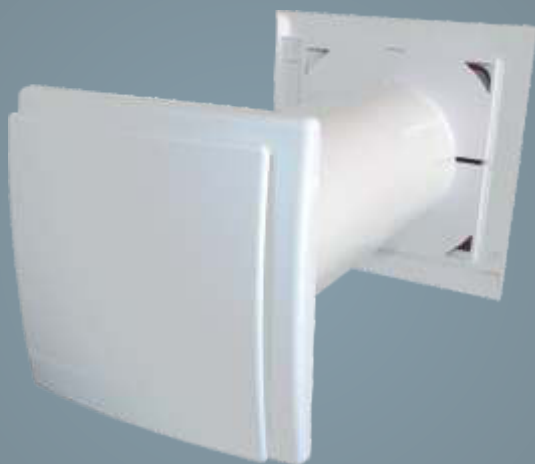


ECO-FRESH 01 Standard

ECO-FRESH 01 UE-2S **NEW** only 2,3W



ECO-FRESH 01 Comfort / 03



ECO-FRESH 01 LUX









ECO-FRESH 05



ECO-FRESH 07



ECO-FRESH TYPES

Type	Product Code	Supply Voltage 	Maximum Flow rate 	Consumed power 	Consumed power 	Protection Degree 	Noise Level 	CO monitoring system	Humidistat	Ionizer	Reversible air flow	Ceramic heat exchanger	Ceramic heater 50-400W	Heater	2 speeds Blast Fan	5 speeds Blast Fan	Remote Control	Control Panel	Active charcoal filter	HEPA filter	Safety net	
								No	Hz / V	m ³ /h	W	W	IP	dB								
01 SEV	4666	50 / 230	-	-	-	X4	28															
01 Standard	8497	50 / 230	45-70	5,5-9,2	-	X4	28		•		•	•			•			•	•		•	
01 Comfort	8985	50 / 230	45-70	5,5-9,2	-	X4	28	•	•	•	•	•			•			•	•		•	
01 LUX	9784	50 / 230	35-85	6,9-19	50-400	X4	28		•	•	•	•				•		•	•		•	
NEW 01 UE-2S	1679	50 / 230	30-17	2,3	-	X4	20,5			•	•	•			•			•	•		•	
03	2372	50 / 230	45-70	5,5-9,2	50-400	X4	28	•	•	•					•			•	•		•	
05	7025	50 / 230	120	46	420	X4	36		•	•				•		•	•		•		•	
05 SIBIR	-	50 / 230	120	46	840	X4	36		•	•				•		•	•		•		•	
07	7773	50 / 230	120	16	420	X4	36		•	•	•	•		•		•	•		•		•	



SENSOR CO

The sensor is constantly monitoring for carbon monoxide presence in the premise.



HYDROSTAT

Controls humidity within 75%.



IONIZER

Ionizes the air by which removes unpleasant odors, kills pathogenic microorganisms and prevents the growth of fungus and mold.



REVERSIBLE VENTILATION

With thermal energy recovery.



HEATEXCHANGER

Contributes to a significant reduction of heat loss during ventilation.



CERAMIC HEATER

Heater with positive temperature coefficient, self-regulating (50~400W) and economical.



HEATER

Economical, designed for pulse operation. Maintain the temperature of the incoming air 23°C.



2 SPEED

2 speed blast fan, allows regulation of fan duty from 45m³/h in night silent mode, up to 70m³/h in day mode.



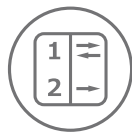
5 SPEED

5 speed blast fan, allows regulation of fan duty from 30m³/h in night silent mode, up to 120m³/h in day mode. Serves for blasting clean air from outside.



REMOTE CONTROL

You can control all the functions of the system remotely



CONTROL PANEL

Regulates smoothly the amount of incoming air from 30m³/h to 100m³/h.



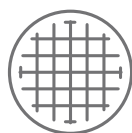
ACTIVE CHARCOAL FILTER

Guarantees the clean airflow even in strong polluted urban areas and industrial regions. Cleans the air from smells, dust, bacteria, soot, car exhaust gases and other.



HEPA FILTER

High efficiency particulate air.



SAFETY NET

Preventing the entry of insects.



SHUTTER

Prevents the inflow of cold air when the unit is switched off.

HEAT RECOVERY

DOMESTIC FANS

SAUNA FANS

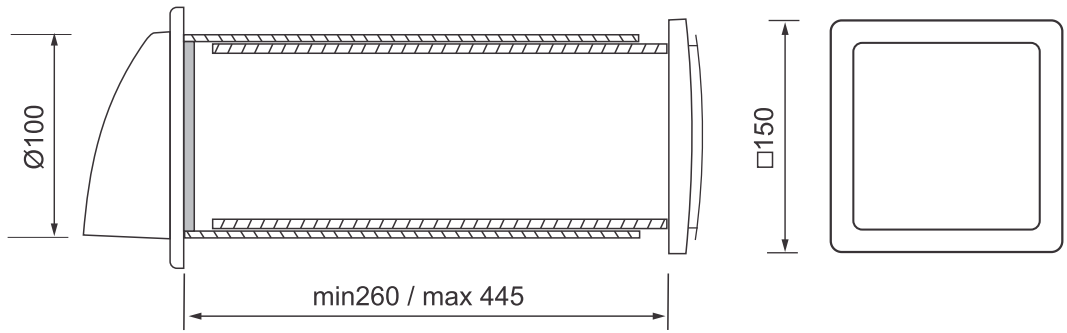
AXIAL FANS

DUCT FANS

INDUSTRIAL FANS

ACCESSORIES

ECO-FRESH TYPES 01 SEV 01 Standard 01 Comfort 01 LUX 01 UE-2S 03



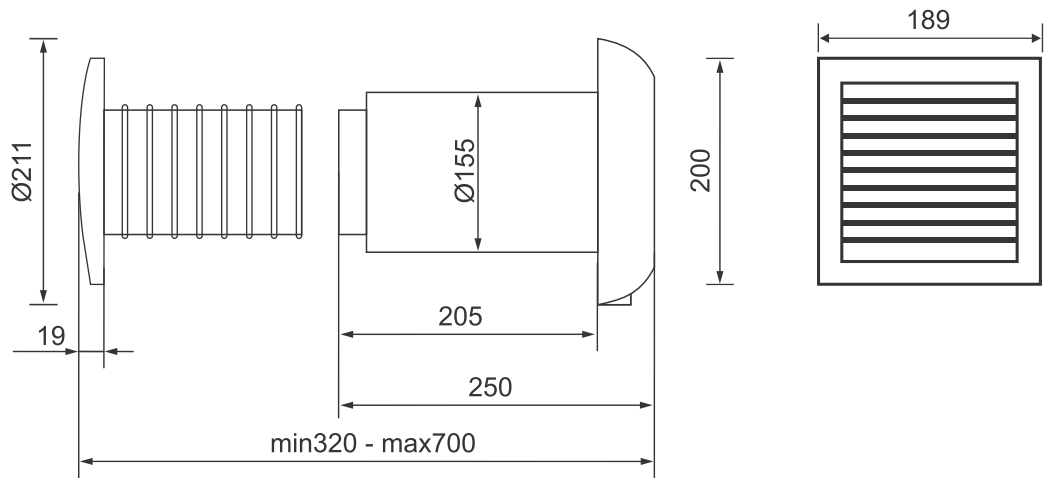
Minimal wall thickness 260 mm.
Maximal wall thickness 445 mm.

* The elaboration of a ventilation system, adjusted to other than the above wall thickness is possible by a clients request.

ECO-FRESH TYPE 05

The supply fan

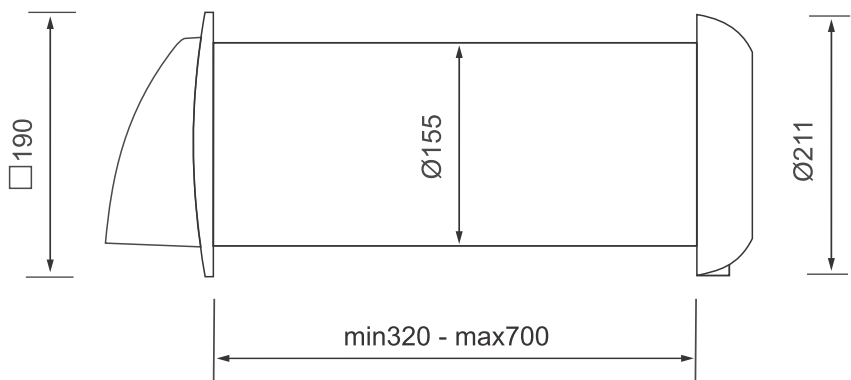
Flexible duct pipe and outer grille



Minimal wall thickness 320 mm.
Maximal wall thickness 700 mm.

* The elaboration of a ventilation system, adjusted to other than the above wall thickness is possible by a clients request.

ECO-FRESH TYPE 07



Minimal wall thickness 320 mm.
Maximal wall thickness 700 mm.

* The elaboration of a ventilation system, adjusted to other than the above wall thickness is possible by a clients request.